

# Series P000 SOLENOID VALVE

Model#  
**P02010026E2A**

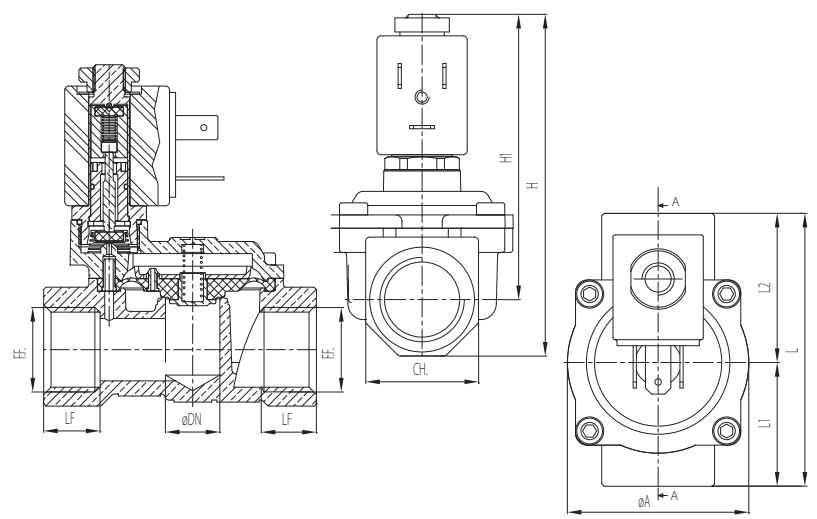
2-Way, Pilot Diaphragm Solenoid Valve  
Normally Closed

## Technical Specifications

Pipe Size (Inch)	Orifice Size (Inch)	Flow Factor (CV)	
<b>1"</b>	<b>1"</b>	<b>11</b>	
Voltage	Power	Min. Pressure (PSI)	Max Pressure (AC)
<b>24VAC</b>	<b>11.5VA</b>	<b>3</b>	<b>174</b>
Temperature Range	Medium Examples	Sealing Material	
<b>- 22° + 284° F</b>	<b>Light Oils , AirWater</b>	<b>EPDM</b>	

## Valve Dimensions

(F.F):	1"
(DN):	1"
(L):	3 11/16"
(L1):	1 15/16"
(L2):	1 11/16 "
(ØA):	2 13/16"
(LF):	11/16"
(H1):	3 3/16"
(H):	4"
(CH):	1 5/8"



## Electrical Connection

Rating:	NEMA 4/ IP 65
Strain Relief Connector:	Model 020

